

HEAVY DUTY FIBERGLASS WETDECK/SPRAYPAD SUMPS

Ideal for wet decks, fountains,
 and other non-VGB installations

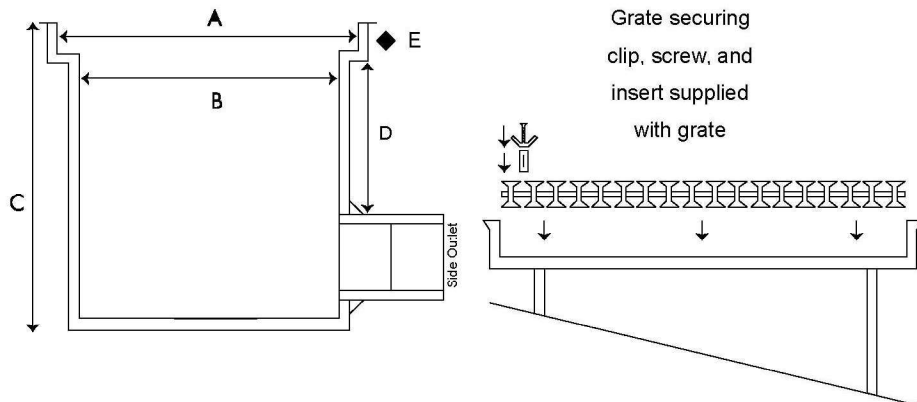
- ◆ Fast installation
- ◆ Rough sand exterior finish
- ◆ Durable, smooth gelcoat interior
- ◆ No forming or pouring
- ◆ Optional waterstop flange
- ◆ Grate-securing clips & screws included
- ◆ Non-metallic, no grounding required
- ◆ Optional 2" f.p.t. x f.p.t. fitting for hydro-relief valve and pebble pipe
- ◆ Premium fiberglass and resin for maximum structural strength
- ◆ Custom configurations fabricated



I-BAR FRAME DESIGN



Grates Sold Separately



Fiberglass I-BAR SUMP Dimensions

Sump Sizes & Part #'s	Dimensions (in inches)*					Side Outlet Size soc x soc	Grate Type	Est. Flow Rates @ 1.5 ft per sec ***
	A	B	C	D	E			
9x9" FPK-50-809-3-FF	9	7	12	6	1	3"	1" I-Bar	145 gpm
12x12" FPK-50-812-4-FF FPK-50-812-18-6-FF	12	10	12	6	1	4"	1" I-Bar	259 gpm
	12	10	18	4	1	6"	1" I-Bar	259 gpm
18"x18" FPK-50-818-8-FF	18	16	24	10	1	8"	1" I-Bar	583 gpm
24"x24" FPK-50-824-10-FF	24	21	32	7	1	10"	1" I-Bar	1036 gpm

* See I-Bar Sump Drawing above for A,B,C,D,E,F,G measurements *** Per manufacturers' printed specifications at time of publication