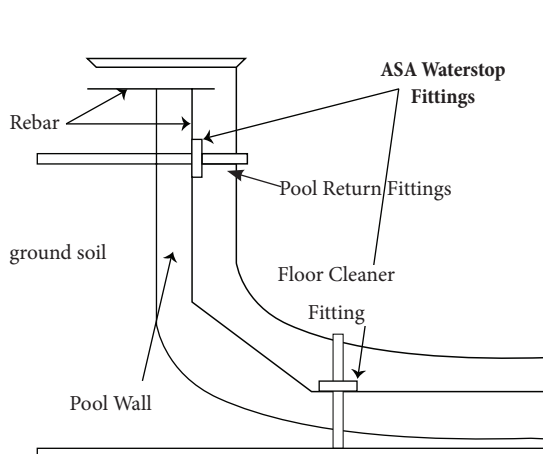
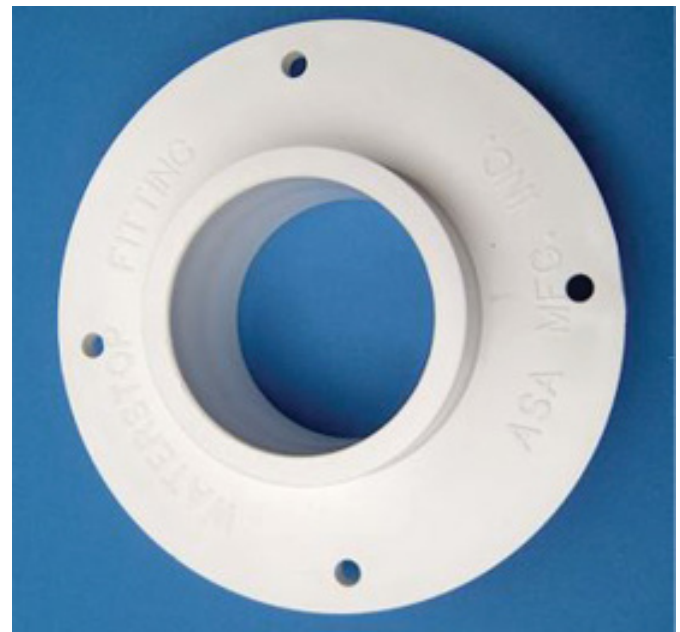
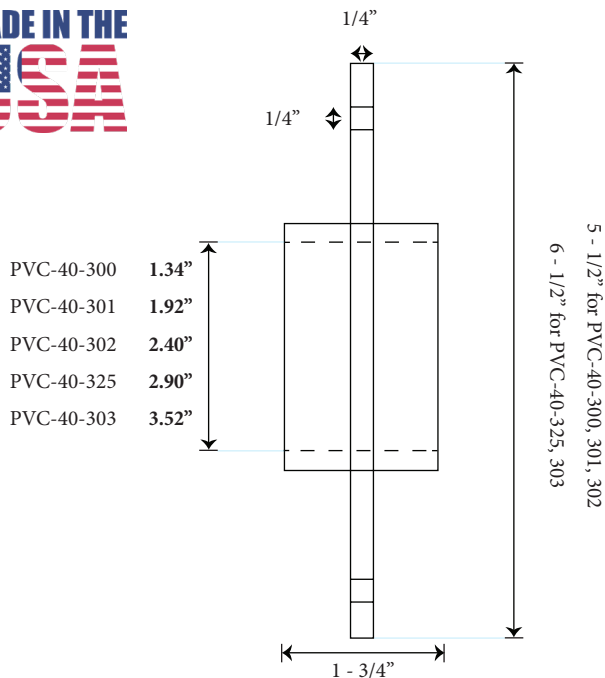


WATERSTOP FITTINGS - SLEEVE DESIGN

- ◆ Cost effective solution eliminates weeping around pipe penetrations
- ◆ Fraction of the cost of brass waterstop fittings
- ◆ Non-metallic - *no grounding*
- ◆ Available in 1", 1.5", 2", 2.5", & 3"
- ◆ Hydrodynamic waterstop when encased in concrete
- ◆ More reliable than heat welded PVC
- ◆ Simply prime and glue in place
- ◆ Wire floor fittings tight and level during floor pour

Waterstop - Sleeve Design	
Part #s	Size
PVC-40-300	1"
PVC-40-301	1.5"
PVC-40-302	2"
PVC-40-325	2.5"
PVC-40-303	3"



Typical Pool Installation

