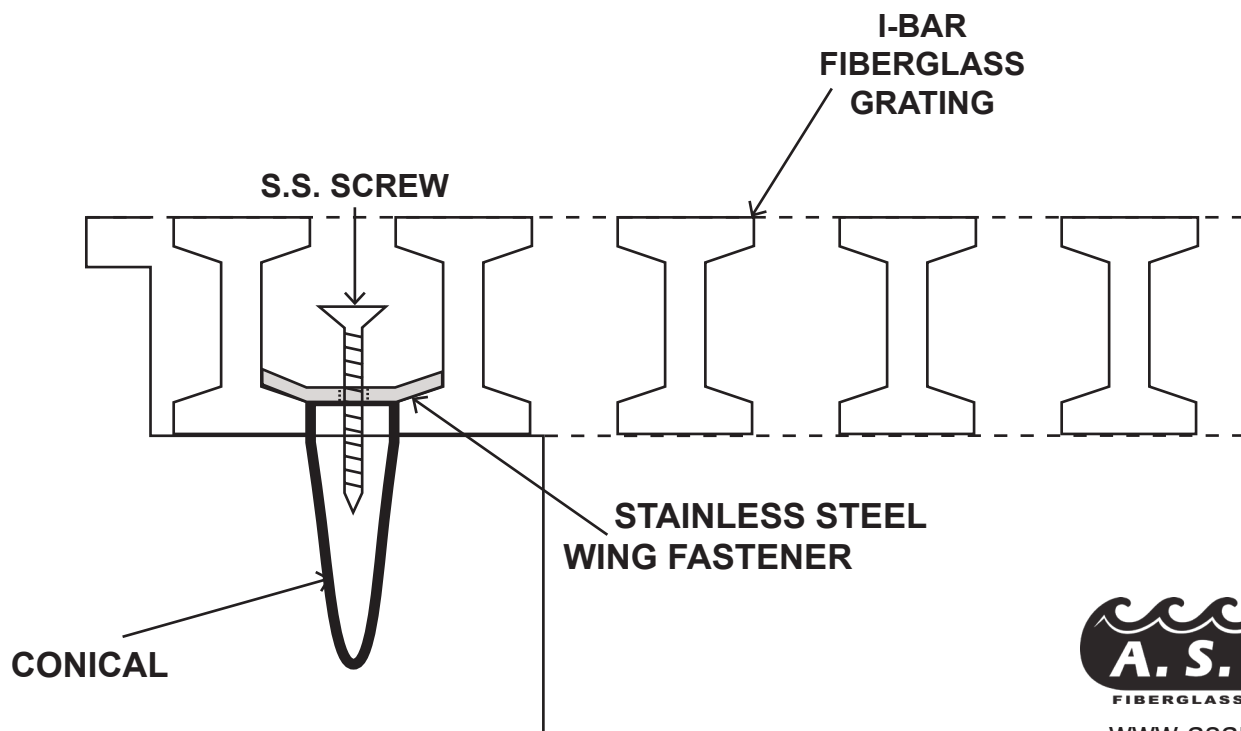




Read Safety Instructions!

READ ME FIRST!

1. Never operate any filtration system such as a wet deck, spray pad, or fountain, etc. without all drain covers securely in place.
2. It is very important to inspect the grate and fasteners for correct and secure installation during regular maintenance periods. Maintenance periods should not exceed a period of one year.
3. The water feature shall not be operated if the drain grate is missing, broken, or secured in such a fashion that it can be removed without the use of tools.
4. **It is the responsibility of the installer to choose the proper suction fitting for the application.**



www.asamfg.com
14879 SW 111th St
Dunnellon, FL 34431
352-465-0236