

READ ME FIRST!



READ ME FIRST!

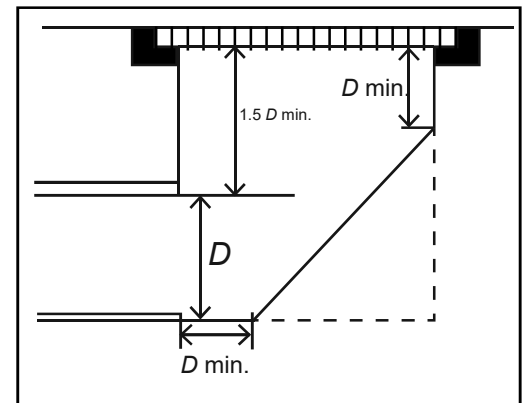
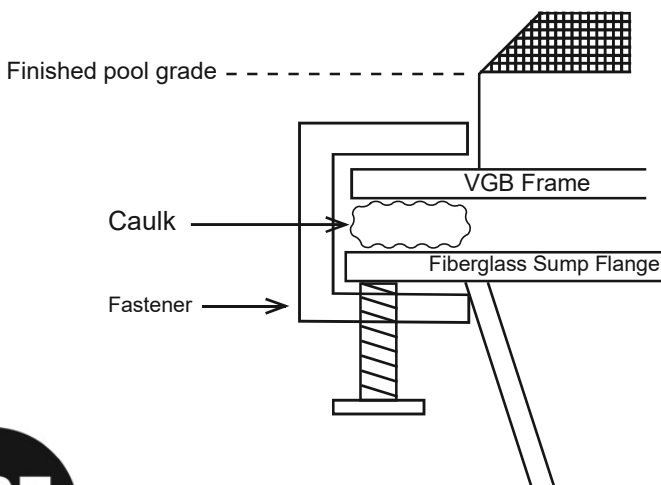
WARNING / ATTENTION / AVISO

1. Please read and follow the recommended installation instructions included with the drain cover (a.k.a. frame and grate) BEFORE installing over the fiberglass sump.
2. Never use a pool or spa if any suction outlet component is damaged, broken, cracked, missing, or insecurely attached.
3. Replace damaged, broken, cracked, missing, or insecurely attached suction outlet components immediately.
4. In addition to TWO (2) or MORE SUCTION OUTLETS PER PUMP installed in accordance with the latest standards and guidelines, follow all national, state, local codes applicable.
5. The maximum flow rate shall not exceed the rating of suction cover installed.
6. Do not locate suction outlets on seating areas or on the backrests for such seating areas.

TYPICAL INSTALLATION

Please read and follow the recommended installation instructions included with the drain cover (a.k.a. frame and grate) BEFORE installing over fiberglass sump.

1. Clean the sump flange and apply a generous bead of caulk to the flange perimeter.
2. Align and set the drain cover (frame & grate) on the sump flange and secure with fasteners (provided) with the bolt slide down (see drawing below). PLEASE NOTE:
 - 9" x 9" and 12" x 12" sumps use ONE (1) fastener per side (4 supplied).
 - 18" x 18" and 24" x 24" sumps use TWO (2) fasteners per side (8 supplied).



PKG-03-100
rev071218
Use for:
ACC-50-1824
ACC-50-950



A.S.A. MFG. INC.
FIBERGLASS PRODUCTS
14879 SW 111th St.
Dunnellon, FL 34432
352-465-0236
www.asamfg.com