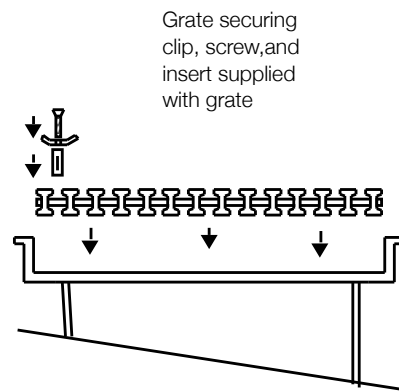
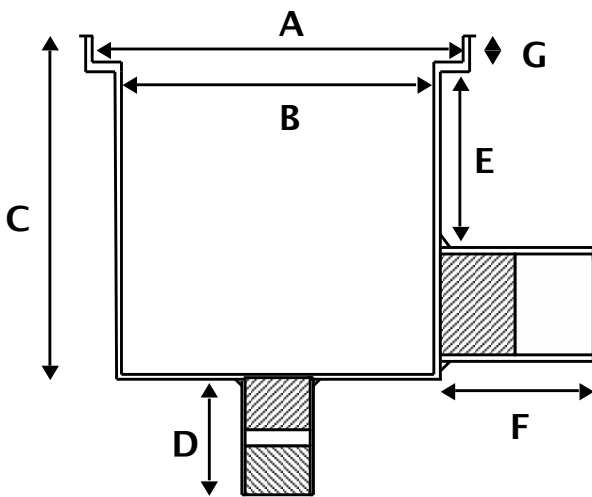


## HEAVY DUTY FIBERGLASS IBAR SUMPS

Ideal for Wet decks, Fountains and other non-VGB installations

- Fast installation
- Rough sand exterior finish
- Durable smooth gelcoat interior
- No forming! No pouring!
- Optional waterstop flange
- Grate Securing clips & screws included
- Non-metallic -- No grounding
- Optional 2" f.p.t. x f.p.t. fitting for hydro relief valve and pebble pipe
- Premium fiberglass and resin for maximum structural strength
- Custom configurations fabricated



### I-Bar Flange Design



Fiberglass I-BAR SUMP Dimensions										
Sump Sizes & Part #'s	Dimensions (in inches) *							Outlet Size f.p.t. x soc	Grate Type	Est. Flow Rates @ 1.5 ft per sec ***
	A	B	C	D	E	F	G			
<b>9" x 9"</b>										
FPK-50-809-FF	9	7	12	4.5	6	3.5	1	3"	1" I-Bar	145 gpm
<b>12" x 12"</b>										
FPK-50-812-4-FF	12	10	12	4.5	6	3.5	1	4"	1" I-Bar	259 gpm
FPK-50-812-18-6-FF	12	10	12	4.5	4	6	1	6"	1" I-Bar	259 gpm
<b>18" x 18"</b>										
FPK-50-818-6-FF	18	16.5	21	4.5	11	6	1	6"	1" I-Bar	583 gpm
FPK-50-818-8-FF	18	16.5	21	4.5	10	7	1	8"	1" I-Bar	583 gpm
FPK-50-818-10-FF	18	16.5	21	4.5	7	8.5	1	10"	1" I-Bar	583 gpm
<b>24" x 24"</b>										
FPK-50-824-8-FF	24	21	21	4.5	10	7	1	8"	1" I-Bar	1036 gpm
FPK-50-824-10-FF	24	21	21	4.5	7	8.5	1	10"	1" I-Bar	1036 gpm
FPK-50-824-12-FF	24	21	21	4.5	6	9	1	12" ** soc x soc	1" I-Bar	1036 gpm

NOTES:  
\* See I-Bar Sump Drawing above for A,B,C,D,E,F,G measurements  
\*\* Sumps with 10" outlets are soc x soc  
\*\*\* Per manufacturer's printed specifications at time of publication



Grates Sold Separately

